

7. Rear Differential Side Oil Seal

A: INSPECTION

Make sure that there is no leakage from side oil seal. If there is any leakage, replace the oil seal.

B: REPLACEMENT

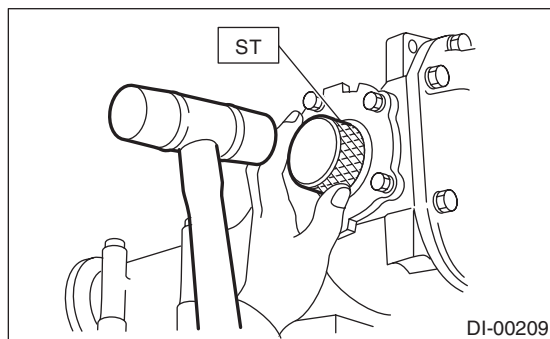
1) Remove the rear differential. <Ref. to DI-27, REMOVAL, Rear Differential (T-type).> <Ref. to DI-44, REMOVAL, Rear Differential (VA-type).>

2) Remove the rear differential side oil seal using a screwdriver wrapped with vinyl tape to prevent the side retainer from scratches.

3) Using the ST, install the oil seal to the side retainer.

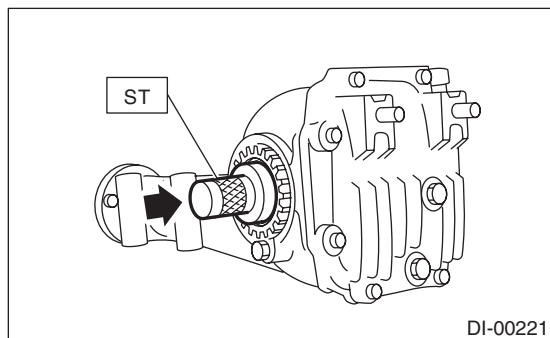
- T-type and VA2-type

ST 398437700 DRIFT



- VA1-type

ST 498447100 INSTALLER



4) Install the rear differential. <Ref. to DI-28, INSTALLATION, Rear Differential (T-type).> <Ref. to DI-45, INSTALLATION, Rear Differential (VA-type).>